

گولڈن ڈائنامکس (پرائیویٹ) لمیٹڈ



NOWA

■ Mono-Block Stainless-Steel Pumps

GMS Series



POWERED by
HONDA

JLEM
J.V. ONG
ELECTRICAL MACHINERY

SAER
ELETROPOMPE

TÜV **CSYD**
AUSTRIA
We Certification
No of Certificate 226



Member of:
ppemma
Pakistan Power & Electric Machine Manufacturers Association

Research Support by:
NUST
NATIONAL UNIVERSITY
OF SCIENCE & TECHNOLOGY

RACHNA
College of Engineering
and Technology,
Gujranwala

GOLDEN DYNAMICS (PVT) LTD.

📍 G. T. Road, Gujranwala - PAKISTAN 📞 +92 55 384 2756, 384 3756, 429 6355 ✉ email@goldendynamics.com 🌐 www.goldendynamics.com





GOLDEN DYNAMICS
(PVT) LTD.



NOWA

■ Mono-Block Stainless-Steel Pumps
GMS Series

Function:

This series of electric single impeller close coupled centrifugal pumps are directly fitted with the overhang impeller to the motor shaft. The liquid pumped is conveyed into the spiral shaped volute of the pump body transferring the kinetic energy into dynamic pressure energy. Pressure and flow are achieved with minimum loss by means of the hydrodynamic closed impeller design.

Application:

The pumps are suitable for transporting clean water and light corrosive liquids, glycol solution, other liquids in food industry (i.e. milk, juices and beverages) and miscellaneous drain water etc. The pump can be used in industrial applications, domestic, washing, pool and irrigation etc.

Pump Construction:

Pump Volute, Impeller and Mechanical Seal Plate in S.S.-304, Shaft in S.S.-304. Motor Body and Cup in Aluminum Die Cast. Rotor Shaft in Steel fitted with world's finest pre-greased Ball Bearings, the Capacitor is permanently in circuit (in single-phase motors).

Motor:

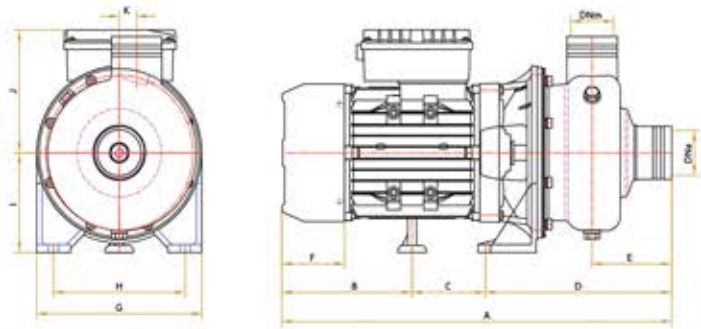
Totally Enclosed Fan cooled (1C411), IP-55, Ins. Class: F, S.F: 1.1, 220 V / 400 V, 50 Hz, 2900 RPM

Performance Chart:

Model	Motor		Q - Capacity (m ³ /h - US gpm - lpm)																					
			1.2	2.4	3.6	4.8	6	7.2	9	11	12	18	25											
	HP	KW	5.2	11	15.8	21.1	26	31.7	39.6	46	53	80	106	20	40	60	80	100	120	150	175	200	300	400
			H - Total Head (m) @ 2900 RPM																					
GMS-71-1/0.33	0.4	0.3	16	15	14	13	11.5	10																
GMS-71-1/0.37	0.5	0.37	21	20	18.5	17	15	13																
GMS-71-1/0.55	0.8	0.55	26	25	23.5	21.5	19	16.5																
GMS-G71-1/0.75	1	0.75	31	30	28.5	26.5	24.5	22																
GMS-71-1.5/0.55	0.8	0.55					10.5	10.2	9.8	9.4	9	7	3											
GMS-G71-1.5/1.75	1	0.75					14.5	14.2	13.8	13.4	13	10	6											
GMS-90-1/1.8 (T)	2.5	1.8	39	37.5	36.5	35	34	32	30															

Dimension Table:

Model	DNa	DNm	A	B	C	D	E	F	G	H	I	J	K	Weight (kg)
GMS-71-1/0.33	1.25"	1"	360	133	76	151	57	65	215	177	127	126	-	14.2
GMS-71-1/0.37	1.25"	1"	360	133	76	151	57	65	215	177	127	126	-	14.2
GMS-71-1/0.55	1.25"	1"	360	133	76	151	57	65	215	177	127	126	-	14.2
GMS-G71-1/0.75	1.25"	1"	364	73	199	92	57	70	215	150	124	126	-	12.7
GMS-71-1.5/0.55	1.5"	1.5"	402	134	76	192	82	65	170	136	98	120	18	12.9
GMS-G71-1.5/0.75	1.5"	1.5"	392	76	194	122	82	70	170	120	98	120	18	12.0
GMS-90-1/1.8 (T)	1.25"	1"	495	258	124	113	55	100	185	140	125	162	-	30.2



Installation:

Upon installation always prime the pump body before start up. The pump must be installed with motor shaft in the horizontal position.

Pump Performance Data:

Capacity:	24 m ³ /h (max.)
Head:	31 m (max.)
Liquid Temperature:	-15°C ~ +80°C
Ambient Temperature:	+40°C (max.)
Working Pressure:	3.1 bar (max.)

Performance Curve:

